

GROVE

ABDECKUNG KRANTRAEGER 2,75 m
COVERING, CRANE CARRIER 2.75 m

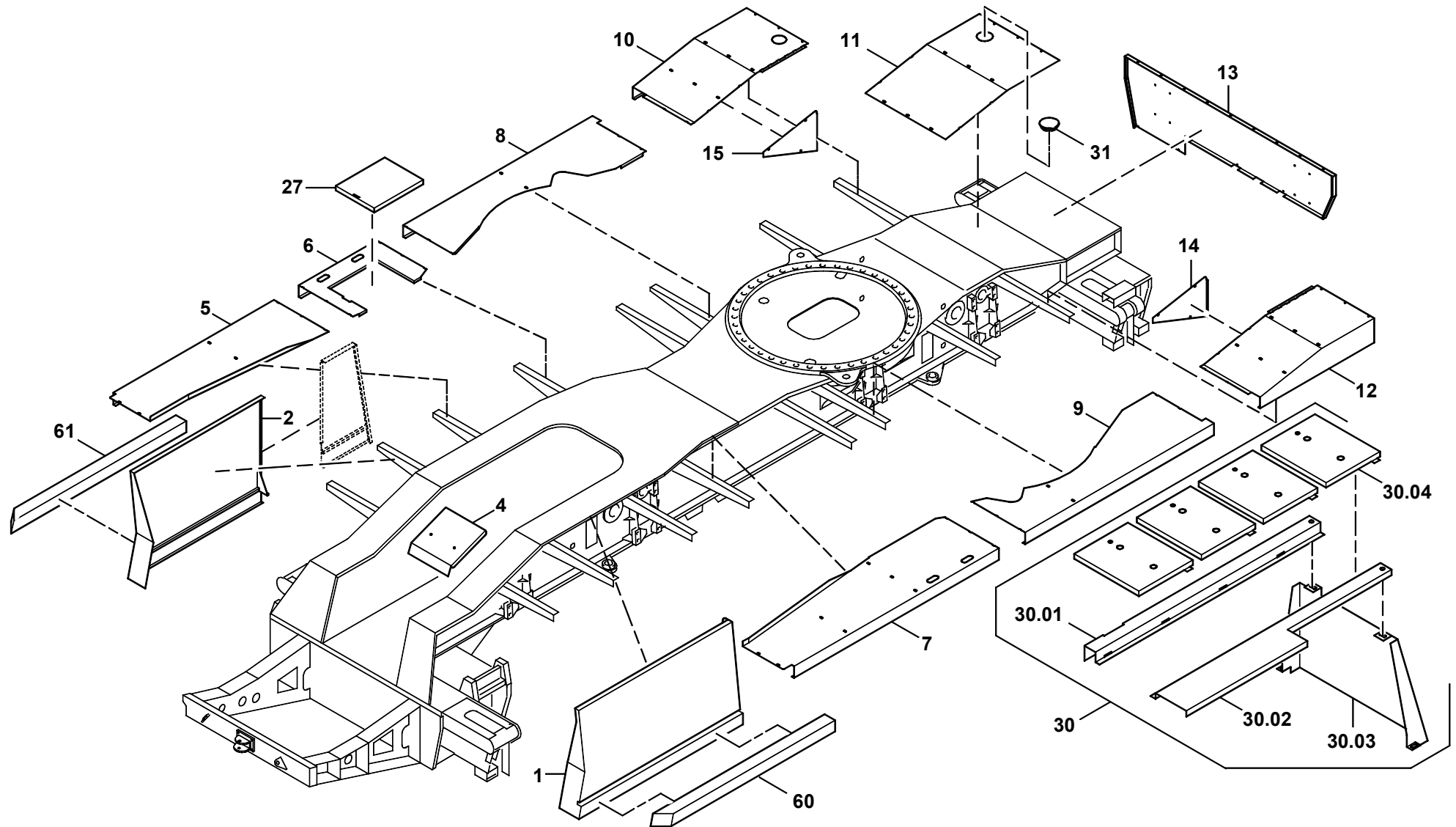
BILDTAFEL
PICTORIAL DISPLAY

12.01

3056856-ETL C

1/3

GMK 4075
BE 511
G 034



GROVE

ABDECKUNG KRANTRAEGER 2,75 m
COVERING, CRANE CARRIER 2.75 m

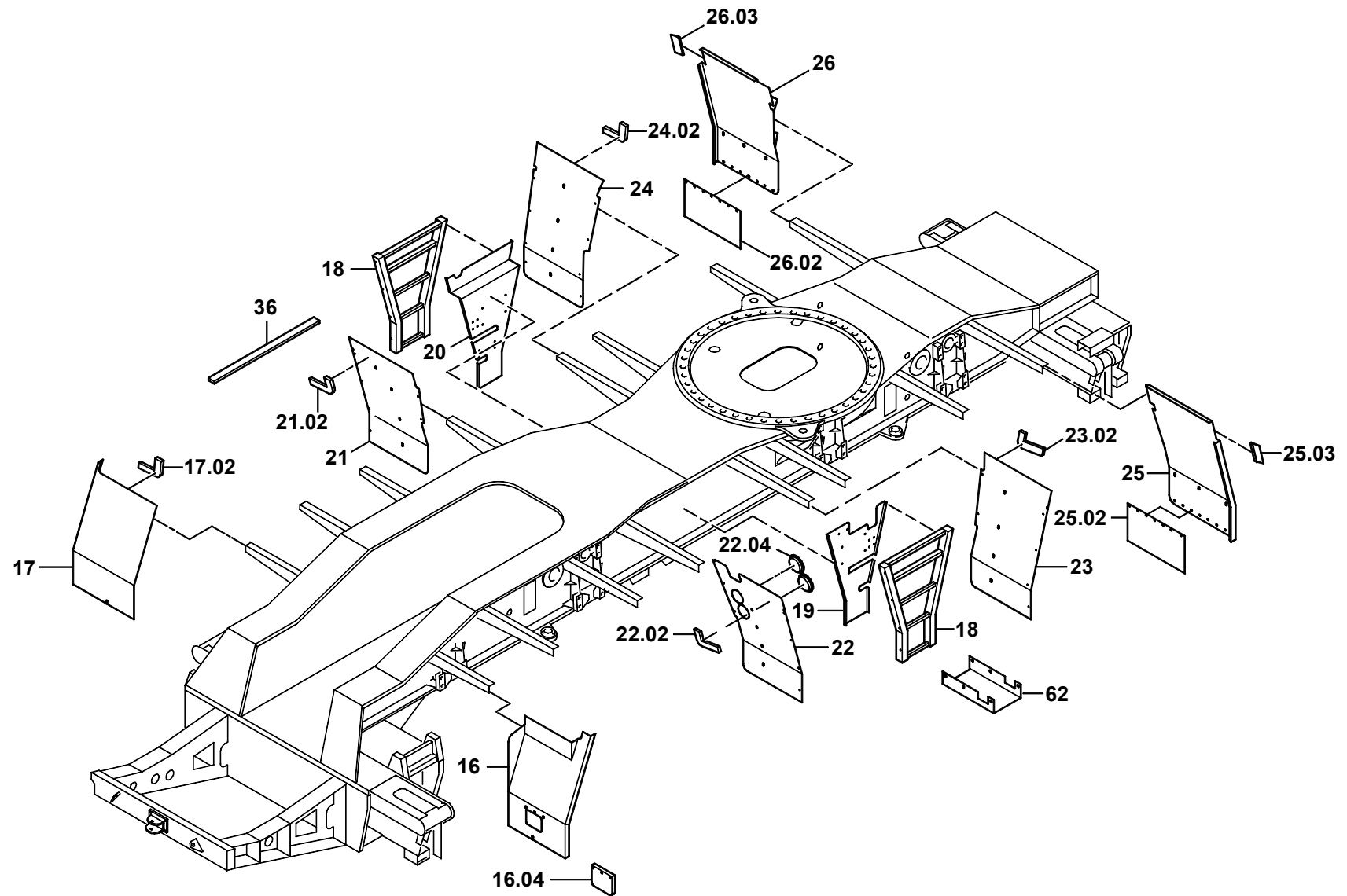
BILDTAFEL
PICTORIAL DISPLAY

12.01

3056856-ETL C

2/3

GMK 4075
BE 511
G 034



GROVEABDECKUNG KRANTRAEGER 2,75 m
COVERING, CRANE CARRIER 2.75 mBILDТАFEL
PICTORIAL DISPLAY

12.01

3056856-ETL C

3/3

GMK 4075
BE 511
G 034